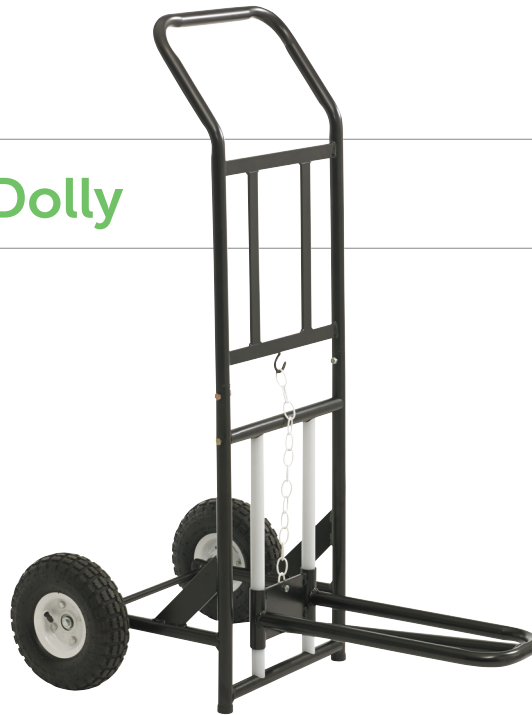


Universal Chair Dolly

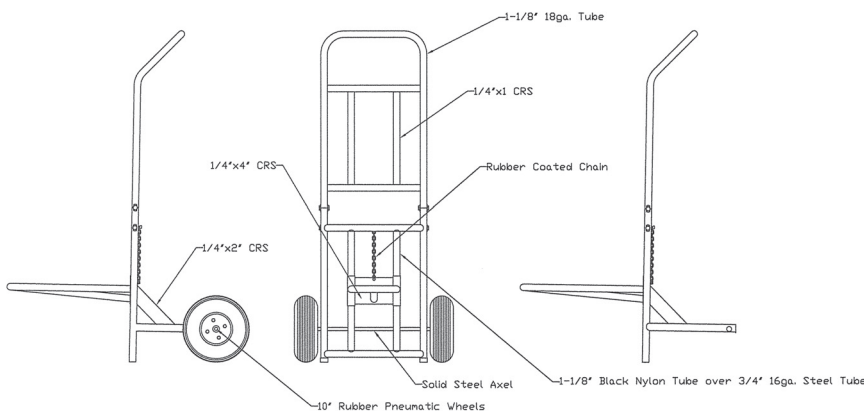


Features

- Constructed from 1 1/8", 18-gauge, round tubular steel, with durable, black powdercoat finish
- Includes two 10" diameter, heavy-duty, pneumatic rubber wheels that can easily transport heavy loads and provide optimum control over a variety of surfaces
- Includes an easy-to-use, adjustable chain and tubular steel cradle with a white plastic sleeve that prevents "scraping" during up and down movement
- Safely supports a stack of chairs in any style and in sizes ranging from 8" to 20" seat heights

Specifications

Model	Description	Width	Depth	Height
Universal Chair Dolly	Adjustable	24"	36"	50"



Chair Dolly

Environments that Inspire Learning



Adjust the Tubular Steel Cradle Height to Support Chairs from 8" to 20" Seat Heights



Large Pneumatic Rubber Wheels Offer Easy Transporting Over a Variety of Surfaces



Transport Any Chair Style with This Easy-to-Use Dolly