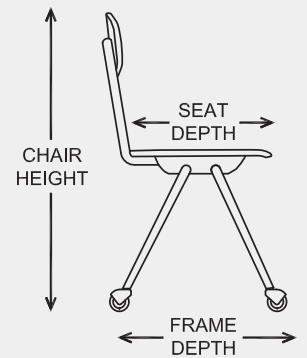
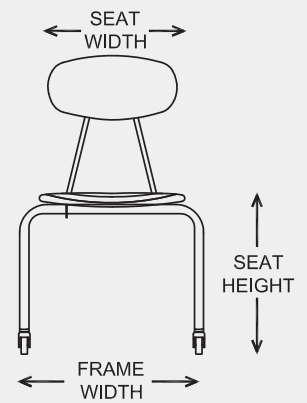




4100 Series Hard Plastic Chair with Casters



Environments that Inspire Learning



Features

Seat:

- Seat and back are formed from 5/8" thick high-impact hard plastic that has been molded into a homogeneous unit by heat and pressure
- Seat and back are ergonomically sculptured to fit body contours, and edges are smooth and rounded
- Continuous color through seat and back, resists stains and fading

Frame:

- Frame is formed from heavy-duty, 1 1/8" diameter, 18-gauge tubular steel welded to a pair of 14-gauge steel support brackets
- Nickel-plated chrome or black powdercoat finishes assure long-lasting durability
- Comes standard with 2" diameter hooded, swivel casters with rubber wheels

Specifications

Model	Seat Height	Chair Height	Seat Width	Seat Depth	Back Width	Back Height	Frame Width	Frame Depth
18" 4-Leg Caster Chair	18"	32"	15"	16"	13"	6.5"	16"	17.25"

Hard Plastic Seat Colors



Frame Colors



Visit us at www.schoolspecialty.com or call 1-888-388-3224

